

5- Element YAGI Antenna for the 20- meter Band

The publication is devoted to the memory of UR0GT.

Credit Line: Forum from: www.cqham.ru

By: Nikolay Kudryavchenko, UR0GT

The 5- Element YAGI Antenna for the 20- meter Band has very stable parameters. Antenna has SWR less the 1.5:1 at 14.0- 14.35- MHz. Antenna has input impedance 50 Ohm. Reflector of the antenna may be made from wire in diameter 2- mm. Model of the antenna made with tapered elements.

Figure 2 shows Z of the 5- Element YAGI Antenna for the 20- meter Band. Figure 3 shows SWR of the 5- Element YAGI Antenna for the 20- meter Band. Figure 4 shows DD of the 5- Element YAGI Antenna for the 20- meter Band. Antenna was placed (in the MMANA) at 23 meter above a real ground.

Design of the 5- Element YAGI Antenna for the 20- meter Band is shown on Figure 1.

73! Nick, UR0GT

The MMANA model of the 5- Element YAGI antenna for the 20- meter Band may be loaded at: http://www.antentop.org/025/yagi_ur0gt_025.htm

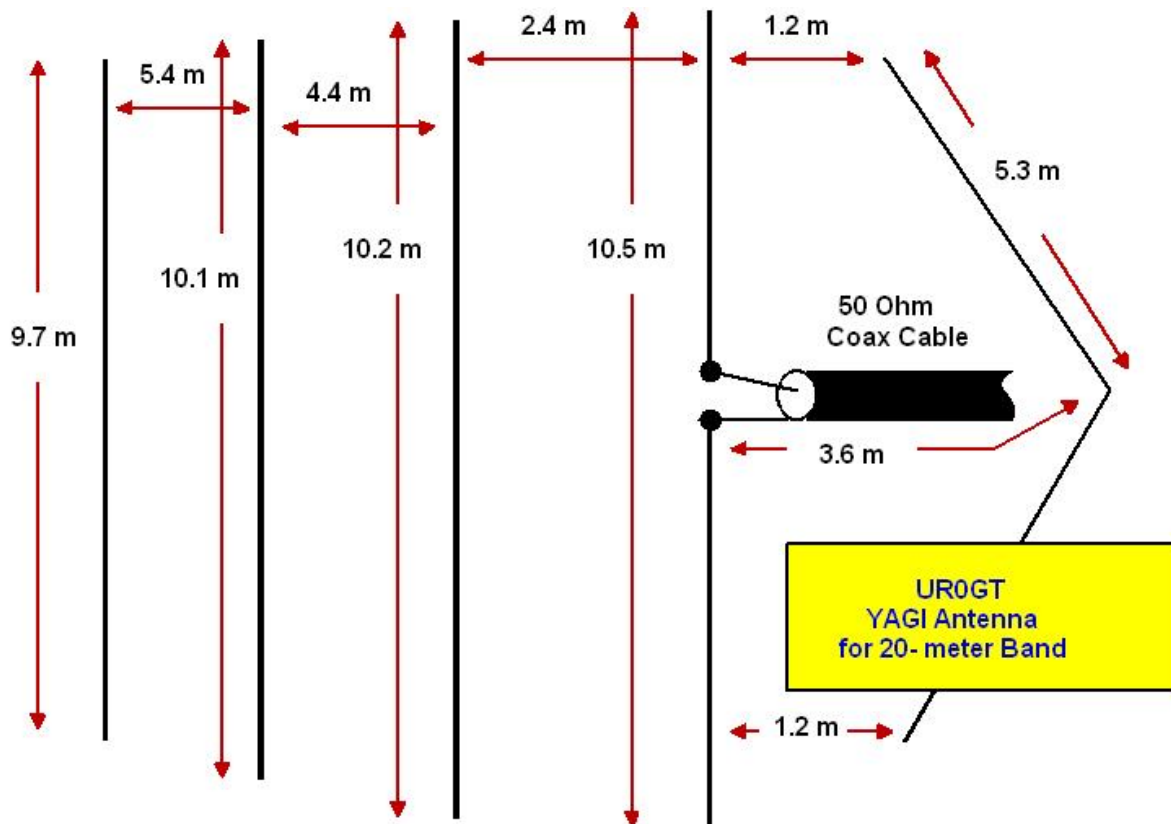


Figure 1

5- Element YAGI Antenna for the 20- meter Band

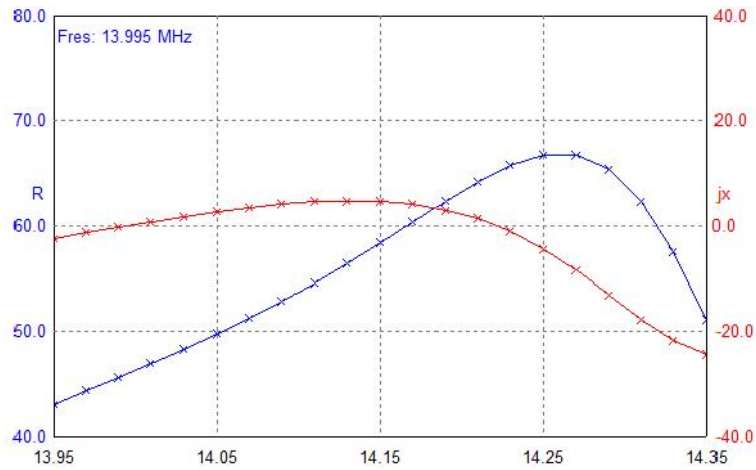


Figure 2

Z of the 5- Element YAGI Antenna for the 20- meter Band

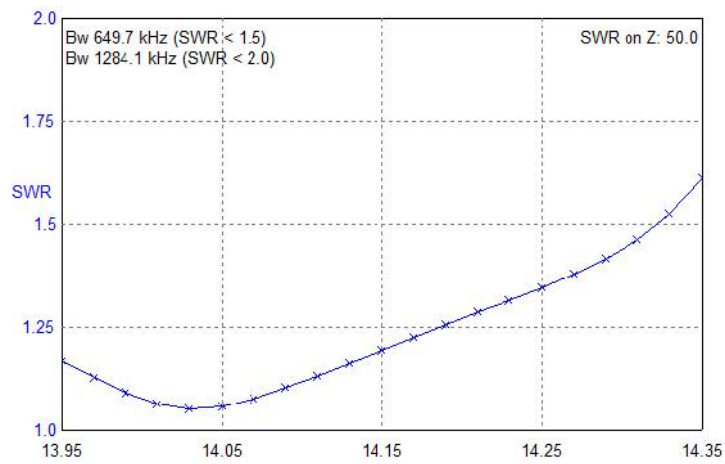


Figure 3

SWR of the 5- Element YAGI Antenna for the 20- meter Band

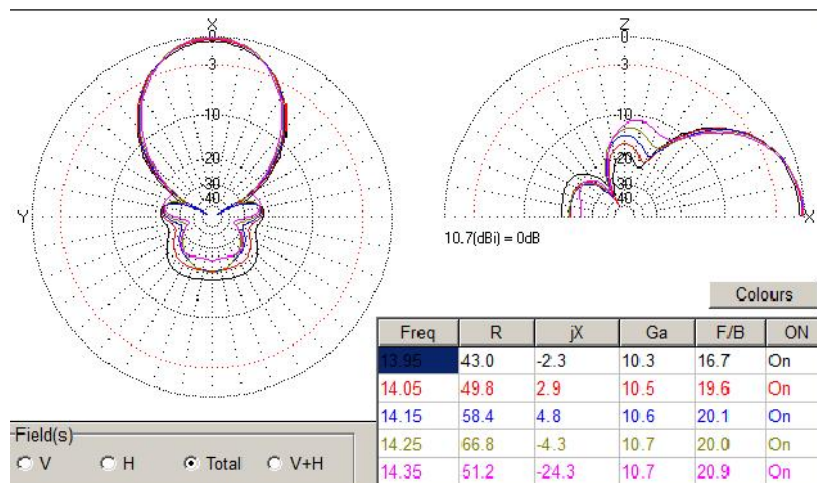


Figure 4

DD of the 5- Element YAGI Antenna for the 20- meter Band