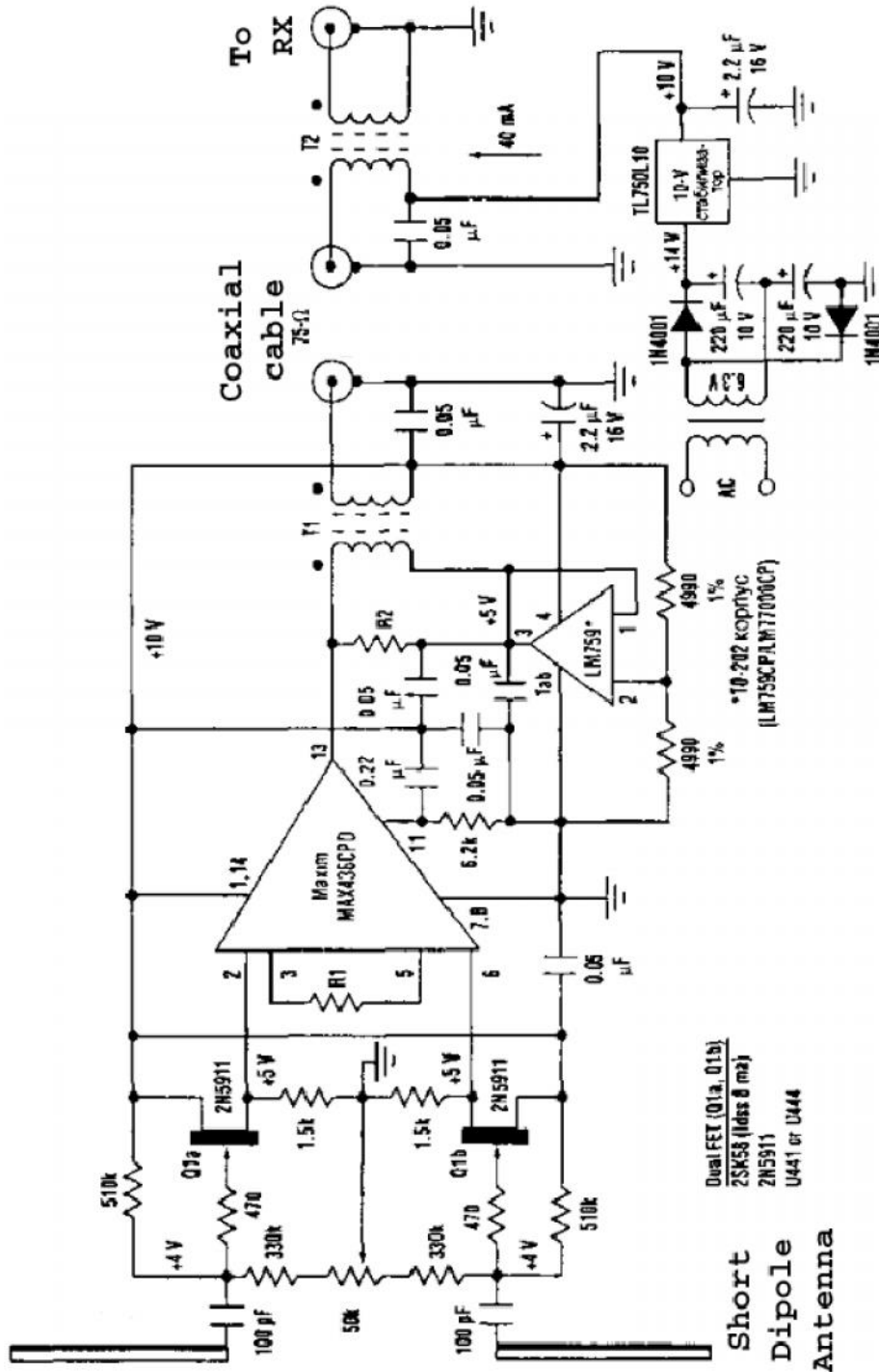


Short Dipole Receiving Antenna

Short Dipole Antenna may provide great receiving in the 100- kHz- 40- MHz range. Dipole may be in 10- 20- cm length. Transformers T1 and T2 contained 8 turns wound by twisted pair on ferrite ring SONY 1-421-302. R1 and R2 set up gain and range (at +- 3- dB level).

R1=100, R2=75: Gain:12.8- dB, range:50- kHz- 39- MHz. R1=100, R2=150: Gain:15.3- dB, range:56- kHz- 36- MHz. R1=27, R2=75: Gain:23.9-dB, range:50- kHz- 31- MHz. R1=27, R2=150: Gain:26.4- dB, range:56- kHz- 29- MHz.



Short Dipole Antenna

Credit Line:

<https://www.qrz.ru/schemes/contribute/antenns/aktivnaa-dipol-naa-antenna-ot-100-kgc-do-40-mgc.html>