

3 Element Antenna for the 50- MHz Band

By: Yuriy Skutelis, RN3DEK
 Credit Line: Forum at cqham.ru

There is presented 3 elements directional antenna for the 50- MHz Band. Antenna has good SWR at the band and excellent F/B ratio. Antenna allows to be made with some tolerance. It is very convenient for because in real life it is very hard to note all outer environment objects. Antenna has 50- Ohm input impedance that allows feed the antenna directly by 50- Ohm coaxial cable.

Figure 1 shows schematic of the antenna. Antenna elements made of aluminum tube in diameter of 30- mm. Dimensions are given in millimeter

Figure 2 shows Z of the antenna. Figure 3 shows SWR of the antenna. Figure 4 shows DD of the antenna (antenna placed at 17.5 meter above ground).

73! RN3DEK

MMANA File of the 3 Element Antenna for the 50- MHz Band may be downloaded at:
http://www.antentop.org/022/3_el_50mhz_022.htm

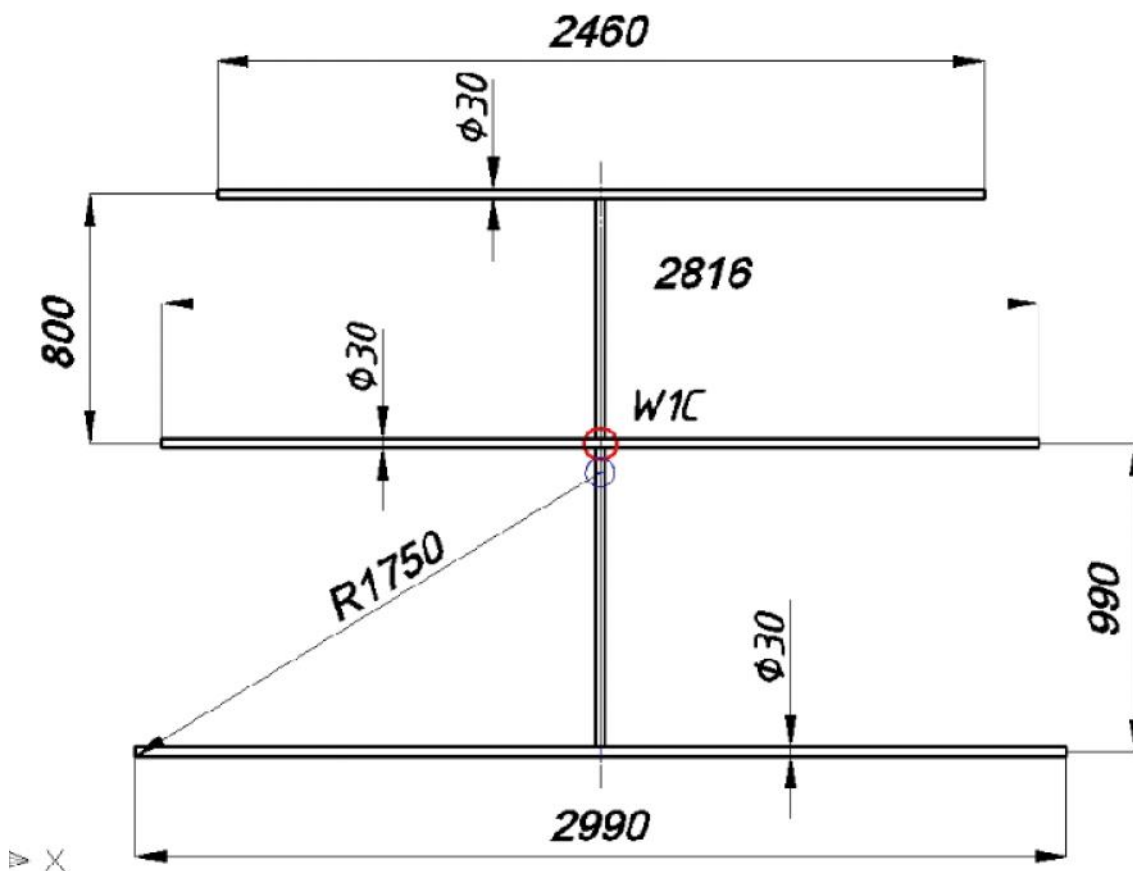


Figure 1
 3 Element Antenna for the 50- MHz Band

	FREE e- magazine edited by hams for hams Devoted to Antennas and Amateur Radio www.antentop.org
--	---

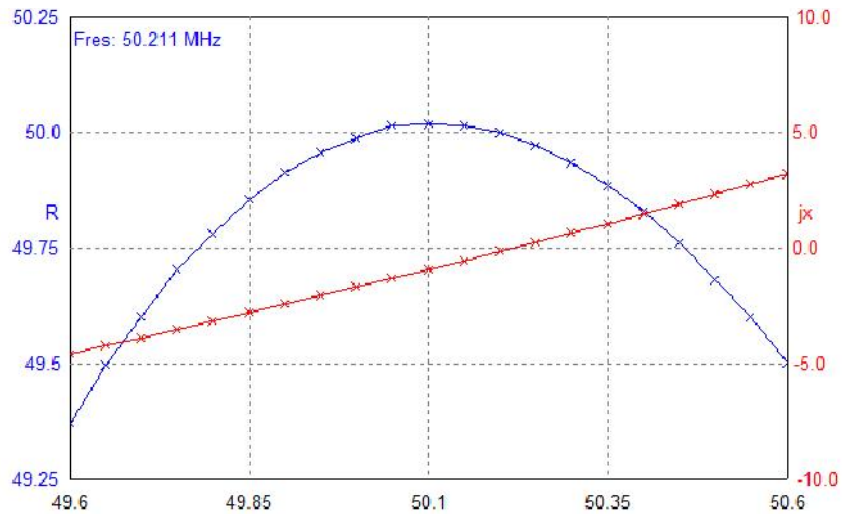


Figure 2 Z of the 3 Element Antenna for the 50- MHz Band

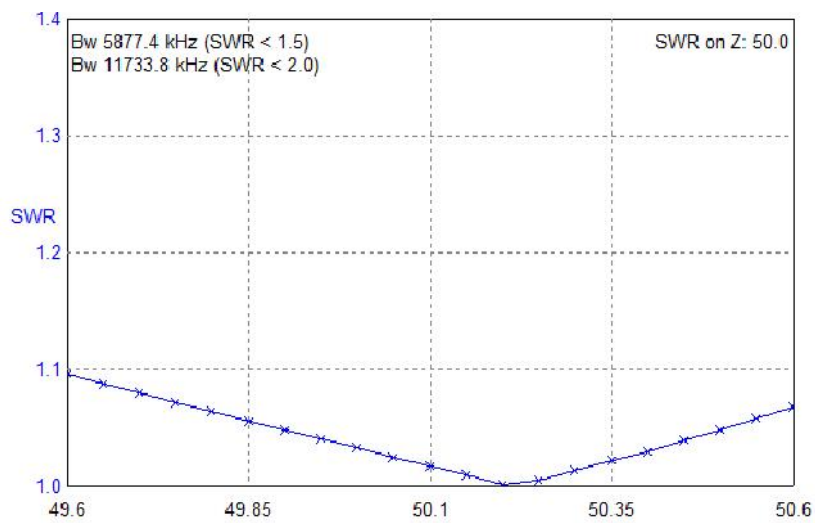


Figure 3 SWR of the 3 Element Antenna for the 50- MHz Band

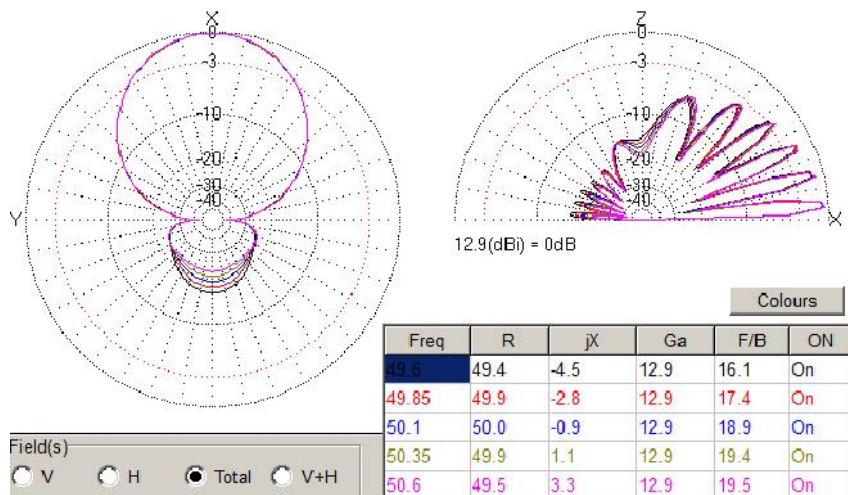


Figure 4 DD of the 3 Element Antenna for the 50- MHz Band