

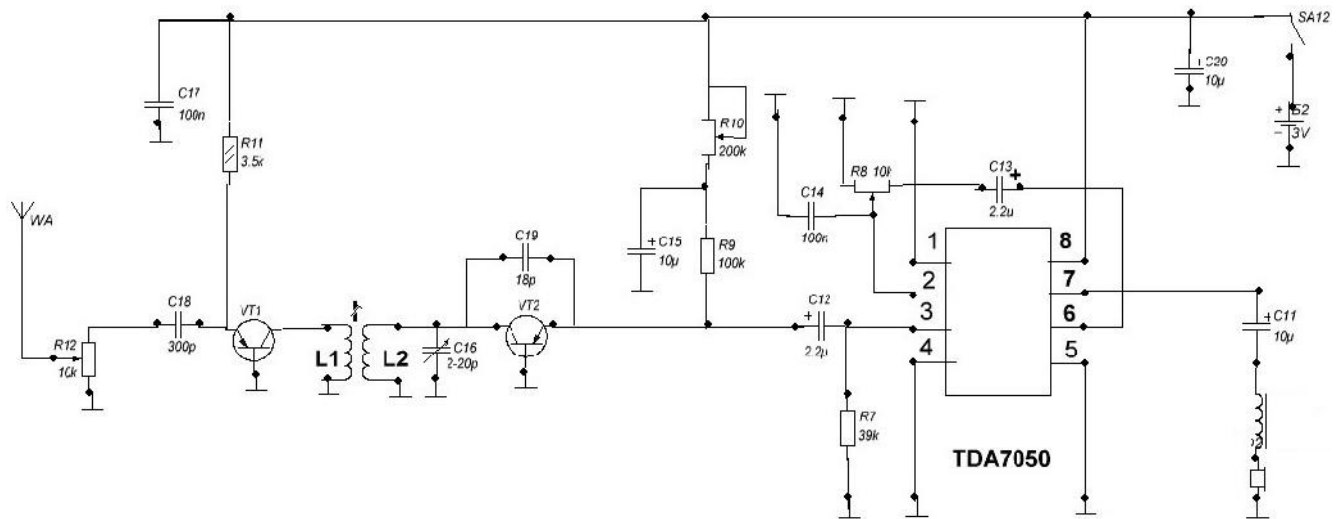
# Simple Regenerative Receiver BARER 1

By: *DedVova*

The very simple regenerative receiver was made for 40-meter ham band. The receiver worked very stable. You did not need tune the R10 (Regeneration) through the band once it is already adjusted. The receiver was compared with two commercial ones- TECSUN PL600 and DEGEN- 1103. My regenerative receiver worked much better on the 40- meter band. **Figure 1** shows schematic of the receiver.

It is possible use transistor BC369 or BC557 at the regenerative stage. I used a 2- 3 meter length of wire as antenna for the receiver. L1 is a coupling loop. It contains 3 turns. L2C16 is tuned to the 40- meter band. In my case the L2 contains 25 turns.

I used a surplus inductor (with a tuning ferrite rod) from old USSR transistor receiver VEF. I used 32- Ohm headphones from old player. Choke (switched in serial with the headphones) is surplus choke from electronic ballast from Compact Fluorescent Lamp.



**Figure 1** Regenerative Receiver BARER 1

*Credit Line:*

<http://www.cqham.ru/forum/showthread.php?14624-> - - - [/page567](#)



[www.cqham.ru](http://www.cqham.ru)