

Antenna for 80-, 40-, and 15- meter Band

By: *Vladas Zhalnerauskas, UP2NV*

W3DZZ Antenna is widely used among radio amateurs. The antenna shows the efficiency at several bands (as usual from 3 to 5) at minimal stuff to do it. The described below antenna is a modification of the W3DZZ Antenna. The antenna could work at 80- 40- and 15- meter Bands. **Figure 1** shows all steps to transform W3DZZ Antenna to my design.

It is known that classical W3DZZ Antenna has traps for one or several bands. In my case the traps were changed at first to quarter wave stubs then the stubs were superposed with antenna wires. I got compact and reliable antenna that worked good at three bands- 80-, 40-, and 15- meters. Sizes of the antenna at **Figure 1** are given in centimeters. Stubs were fixed with help of dielectric struts. Antenna should feed through 75- Ohm coaxial cable if it is placed at some height above the ground. If the antenna made in the shape of inverted V the 50- Ohm coaxial cable should be used for feeding the antenna. Antenna was made from 2- mm (12- AWG) copper wire. Coaxial cable should be placed at right angle to the antenna wires.



UP2NV. Klaipeda, 1981.

Credit Line:

<http://deltaclub.org.ua/bibliteka/history-taught-extramural-competitions-hf-year-1981.html>

The Antenna was used for several years at UP2NV station and it was showed a good result.

73! de UP2NV

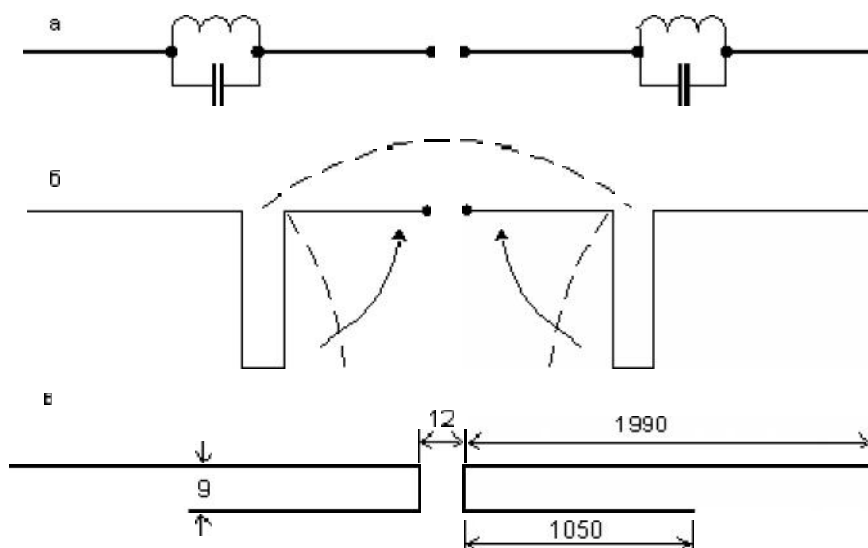


Figure 1 Transformation W3DZZ Antenna to UP2NV Antenna

