

Three Element YAGI Antenna for 145- MHz with Square Reflector

By: Yuriy Skutelis, RN3DEK

The antenna provides good F/B ratio. Antenna has input impedance 50- Ohm that allows fed the antenna directly through 50- Ohm coaxial cable. It was reached by special form of the reflector. **Figure 1** shows design of the antenna. Reflector of the antenna made of aluminum wire in diameter 4- mm. Elements of the antenna made of aluminum tube in diameter 8- mm. Boom of the antenna made from dielectric stuff.

Figure 2 shows input impedance of the antenna. **Figure 3** shows SWR of the antenna. **Figure 4** shows DD of the antenna.

MMANA File for the Three Element Yagi Antenna for 145- MHz with Square Reflector may be loaded at: http://www.antentop.org/019/square_019.htm

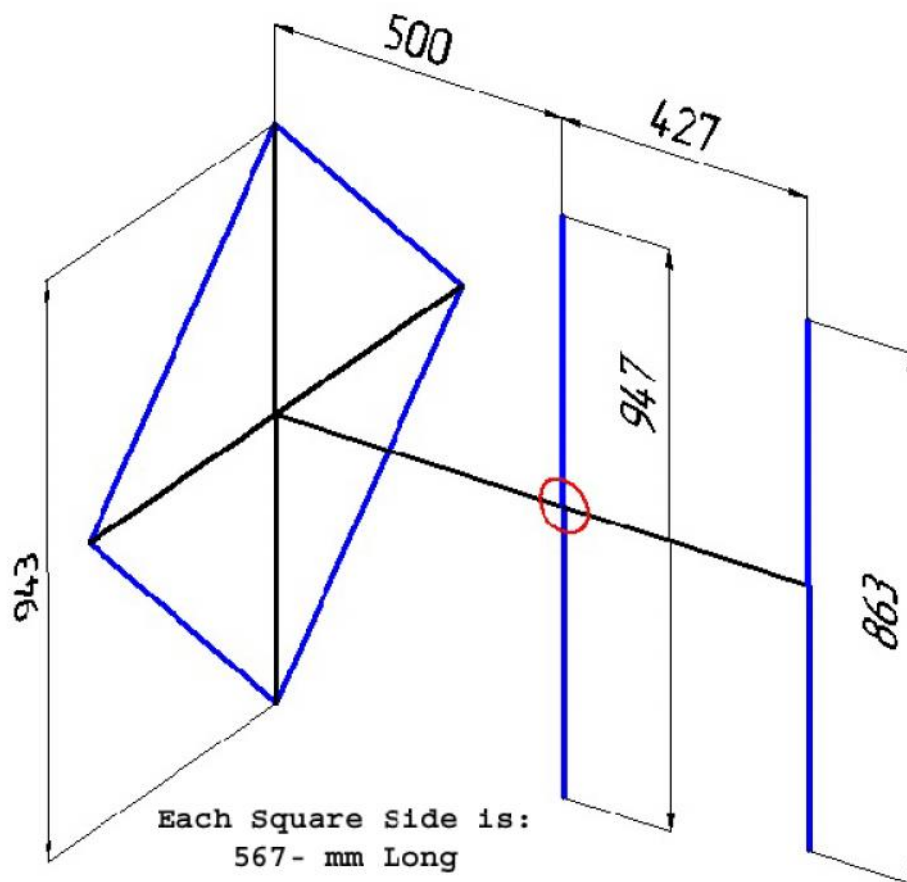


Figure 1 Three Element Yagi Antenna for 145- MHz with Square Reflector

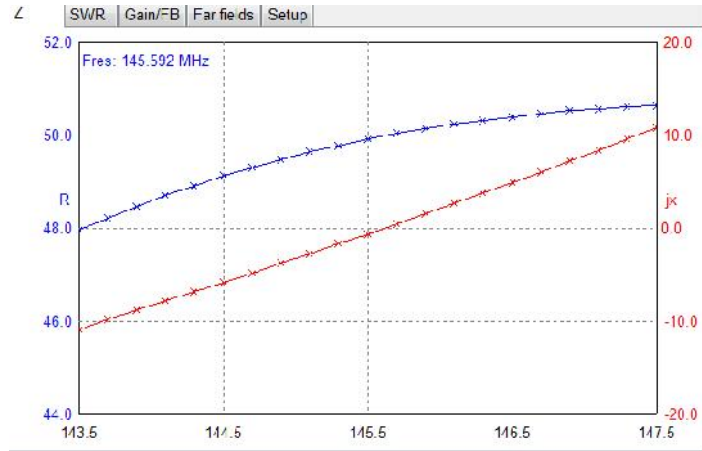


Figure 2 Z of the Three Element Yagi Antenna for 145- MHz with Rectangle Reflector

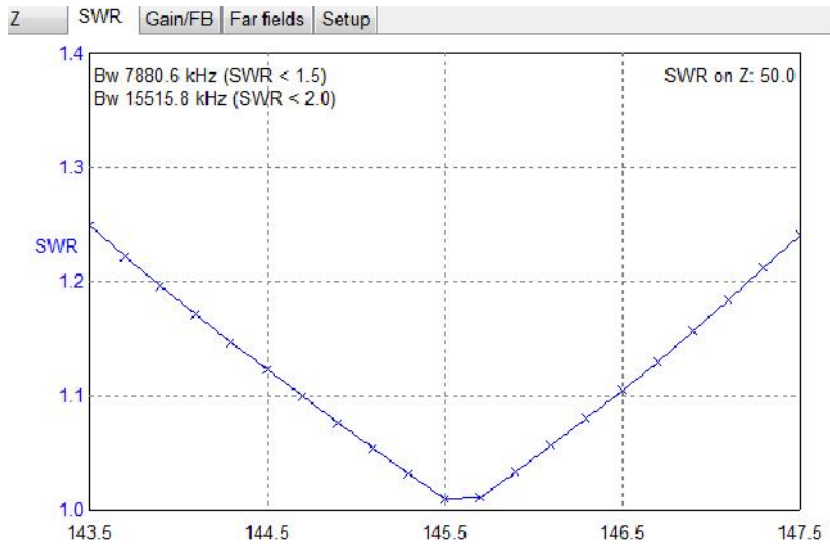


Figure 3 SWR of the Three Element Yagi Antenna for 145- MHz with Rectangle Reflector

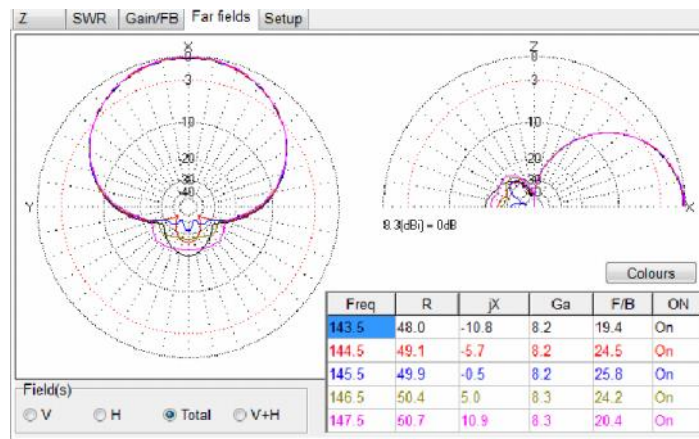


Figure 4 DD of the Three Element Yagi Antenna for 145- MHz with Rectangle Reflector