

Antenna UA6AGW V.40.20

Aleksandr Grachev, UA6AGW

The experimental antenna made on the base of previously described versions of the Antenna UA6AGW for 40- meter Band. Aim of the experiment was to reduce the room that the horizontal wire takes. For the purpose one of the horizontal wires was bended. **Figure 1** shows schematic of the antenna.

Diagram Directivity was taken for the antenna. DD of the antenna looks like an ellipse. Receiving from the sides of the ellipse is lower on 3- 6- dB. Receiving from the bended horizontal wire is lower on to 10- dB.

Antenna was tuned (by C2) to the 40- meter Band and connected to my transceiver. It was found that the antenna lost its symmetrical properties. Electrical noise appeared at receiving mode. At transmitting an RF- Voltage appeared at the transceiver cabinet. However it was possible corrected (return symmetrical properties back) by lengthening on 10 percent the bended horizontal wire.

Summary: It was made simple, easy to do and tune antenna with directional properties.

73! UA6AGW

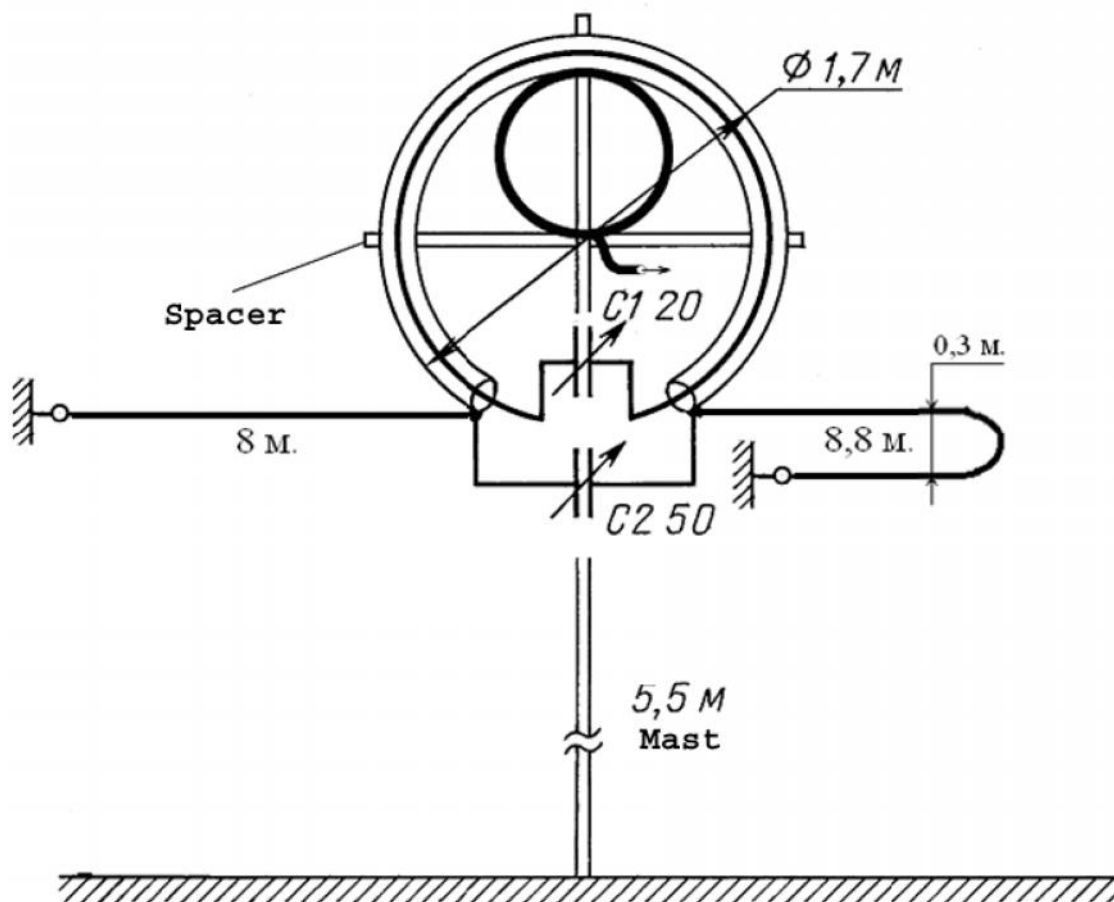


Figure 1 Antenna UA6AGW V.40.20