

Ferrite Magnetic Antennas by RN3DEK. LW, MW and 160- m Antennas

By Yuriy Skutelis, RN3DEK
Credit Line: www.cqham.ru



Ferrite Magnetic Antenna for the MW.
Ferrite: 2- beams X 7- Ferrite Rods $\mu=400$, L= 160-
mm, OD- 8- mm.

Video Files (in Russian):

<http://youtu.be/71-7Hr2qUGg>
http://youtu.be/9SK3DfZ_ORc
http://youtu.be/T_2NIETfaFg



Ferrite Magnetic Antenna for the MW.
Ferrite: 3- beams X 7- Ferrite Rods $\mu=400$, L= 160-
mm, OD- 8- mm.

Video Files (in Russian):

Video Files (in Russian):

How it made:

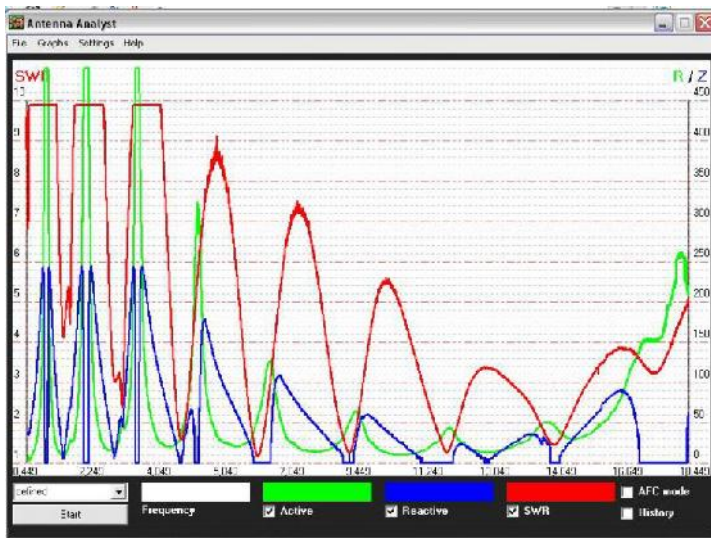
http://youtu.be/PRZHri_eeQI
<http://youtu.be/bc6Iu0bh8uc>

How it works:

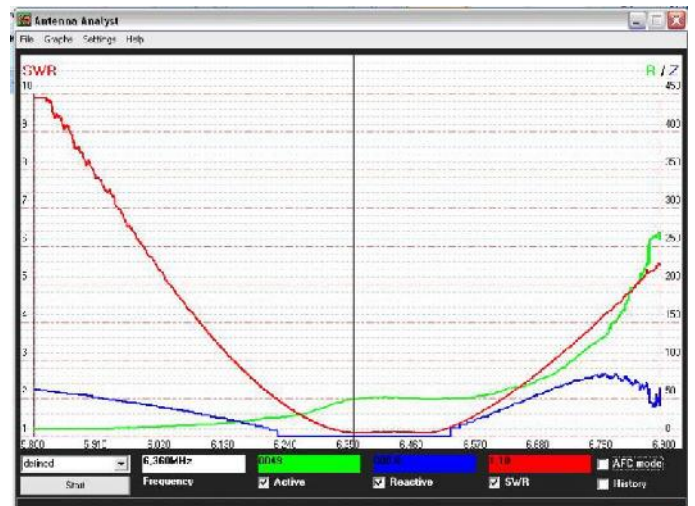
<http://youtu.be/ixpkZaJUCgQ>
<http://youtu.be/jaMVp4F7quw>



Aperiodic Ferrite Antenna



SWR of the Aperiodic Ferrite Antenna in Wide Range
449- 18.449- kHz



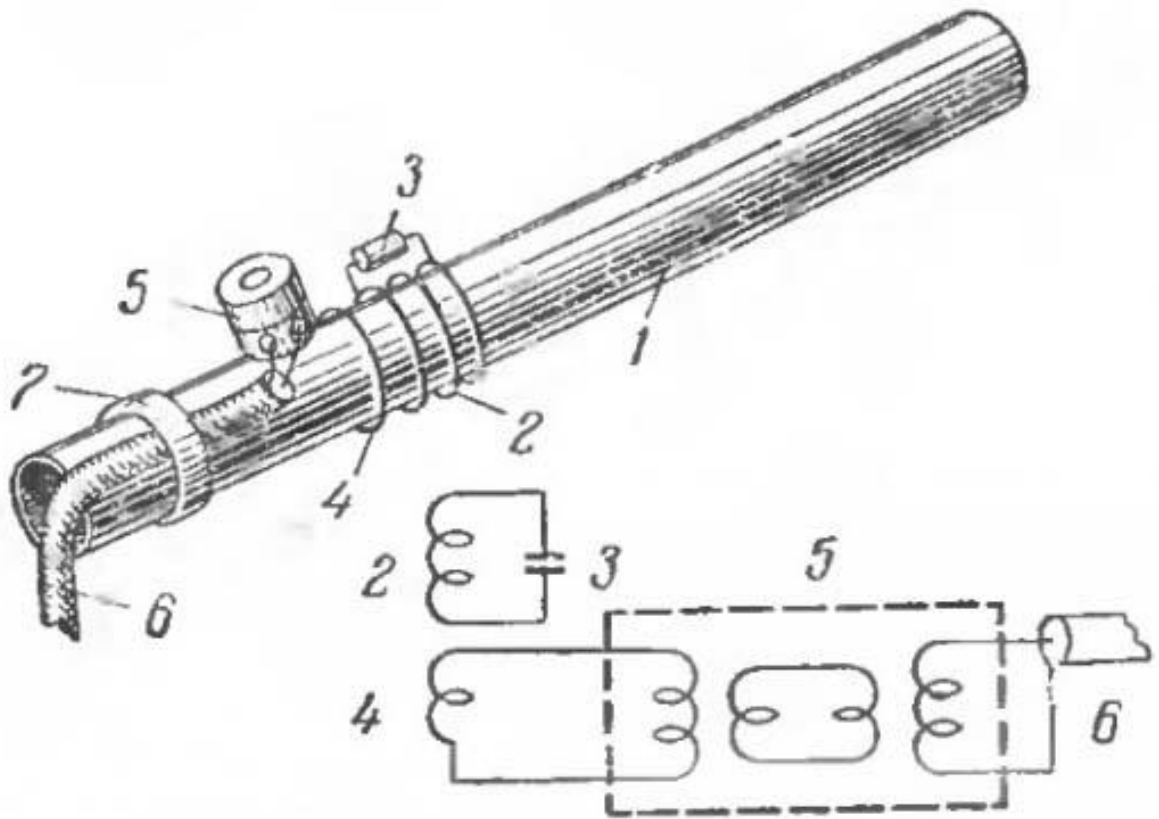
SWR of the Aperiodic Ferrite Antenna in Narrow Range
5.800- 6.900- kHz



LW Ferrite Antenna. Made of 74 ferrite rings $\mu= 2000$,
32 x 20 x 9- mm.



Ferrite $\mu= 400$



Aperiodic UHF Ferrite Antenna from book: Receiving Ferrite Antennas, by Vadim Homich. P. 53.
1. Frame for Ferrite Rod; 2. Antenna Inductor; 3. Capacitor; 4; Coupling Loop; 5. Transformer; 6. Coaxial Cable; 7. Clamp



Symmetrical Ferrite Antenna for 160- m Band



My First Ferrite Antenna with Receiver R-311