

Regenerative Receiver AUDION with 1ZH24B Tubes

Andrey Bessonov, Chelaybinsk

Credit Line: <http://www.radiolamp.ru/shem/tuner/3.php>

Audion is an old regenerative receiver that was produced in pre WWII German. The shown below receiver is a bit similar to the old Audion on the schematic. **Figure 1** shows schematic of the receiver.

The receiver works in the 5.5- 7.5- MHz Band.
Receiver made on Russian Pencil Tubes 1ZH24B.
The tubes were widely used in the military and space technique. The tubes have very high reliability and durability.

Life of the tubes is not less the 5000 hours. (**Note I.G.:** I have seen some equipment with the tubes that were in on working position at least 5 years that means that the tubes were working at least 50000 hours). **Figure 2** shows view of the receiver. Inductors L1, L2, L3 are coiled on form in diameter 20- mm. L1 has 6 turns, L2 has 21 turns, L3 has 7 turns. Inductors are coiled by wire in diameter 0.7-mm (21 AWG).



Figure 2 View of the Audion receiver

ANTENTOP

FREE e- magazine edited by hams for hams
Devoted to Antennas and Amateur Radio
www.antentop.org

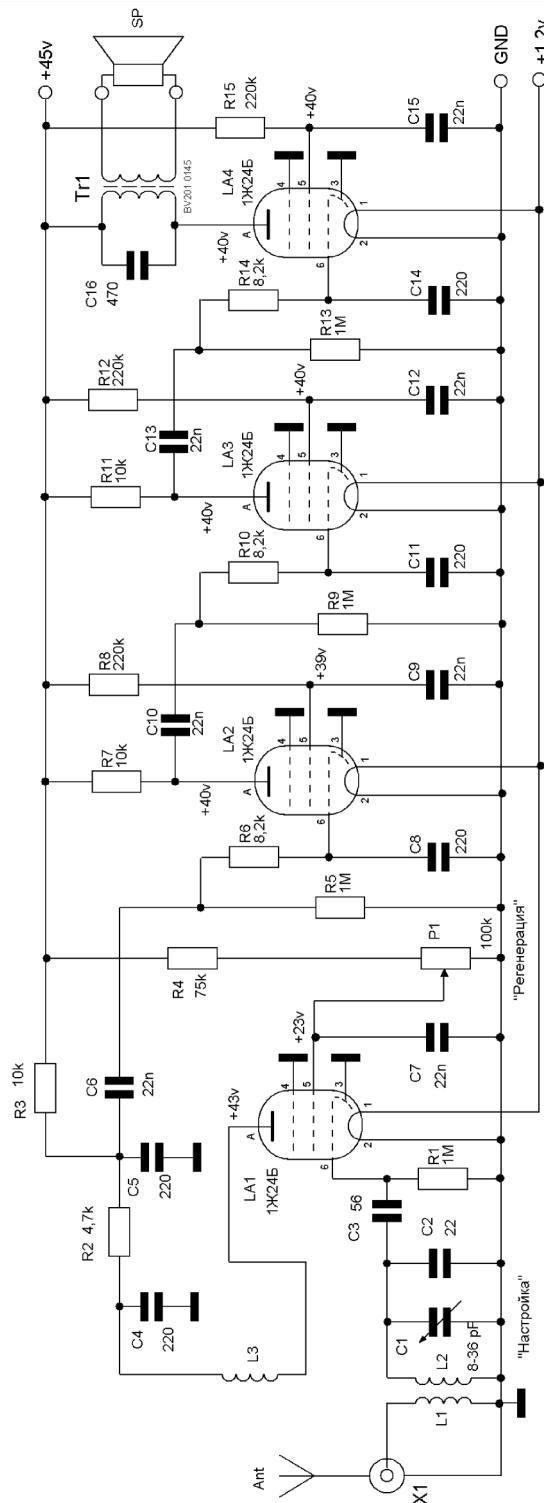


Figure 1 Schematic of the Audion receiver.

At http://www.antentop.org/016/audion_016.htm

It is possible to find: [Layout of Parts](#),
[PCB layout \(Side of the Parts\)](#),
[PCB layout \(Side of the Wire Topology\)](#)