

Fuchs Antenna for the 2- meter- Band

Vasily Perov DL1BA (ex UK8BA)
Credit Line: Forum at www.cqham.ru

The antenna was made and tuned while only 30- minutes. It needs a 126- cm length of wire in 3- mm diameter (9- AWG). Antenna has SWR 1.0:1.0 at 145.0- MHz and 1.7:1.0 at the borders of the 2- meter band. **Figure 1** shows the design of the antenna. **Figure 2** shows picture of the antenna. Tuned antenna is placed into a plastic tube (used at electrical wiring) in 25- mm (one inch) diameter.

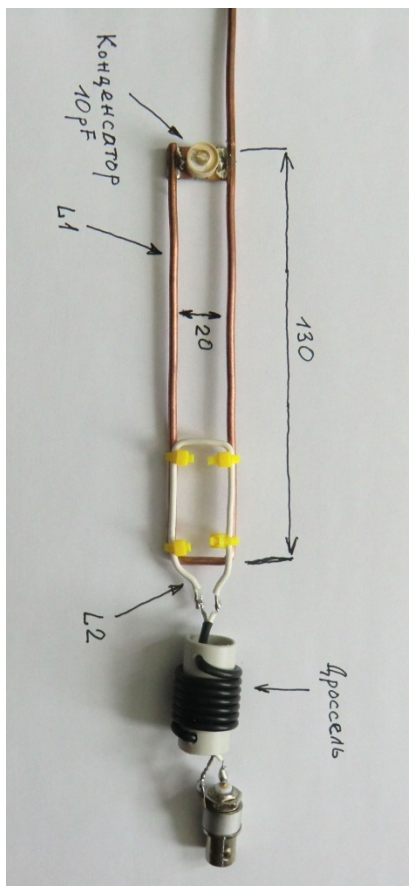


Figure 2 Picture of the Fuchs Antenna

www.antentop.org

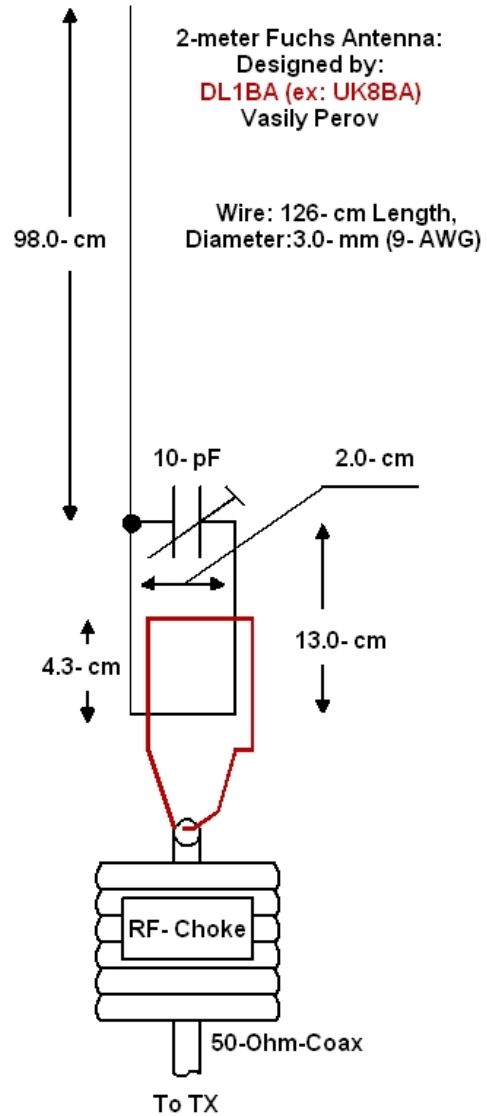


Figure 1 Design of the Fuchs Antenna for the 2- meter Band