

# Conical Windom Antenna

N. Tyutin, UA4QA, Kazan

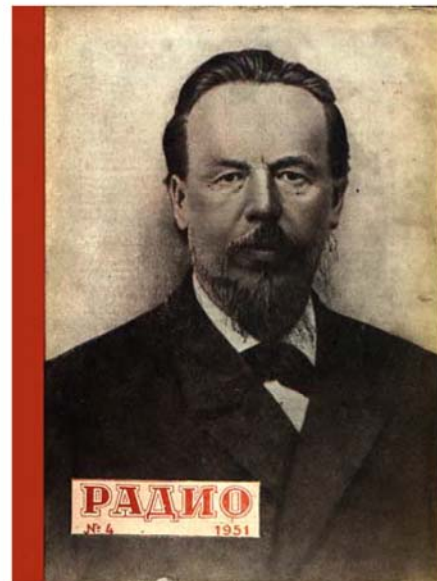
**Credit Line: Radio 1951, # 4, p. 39**

The antenna was installed and tested by UA4QA. Despite of the antenna was installed at a small height between the roofs of a two houses, on the 20 – meters the antenna did + 2... + 4 balls (at S-Scale) compare to usual one- wire Windom designed for the band.

**Figure 1** shows the design of the antenna.

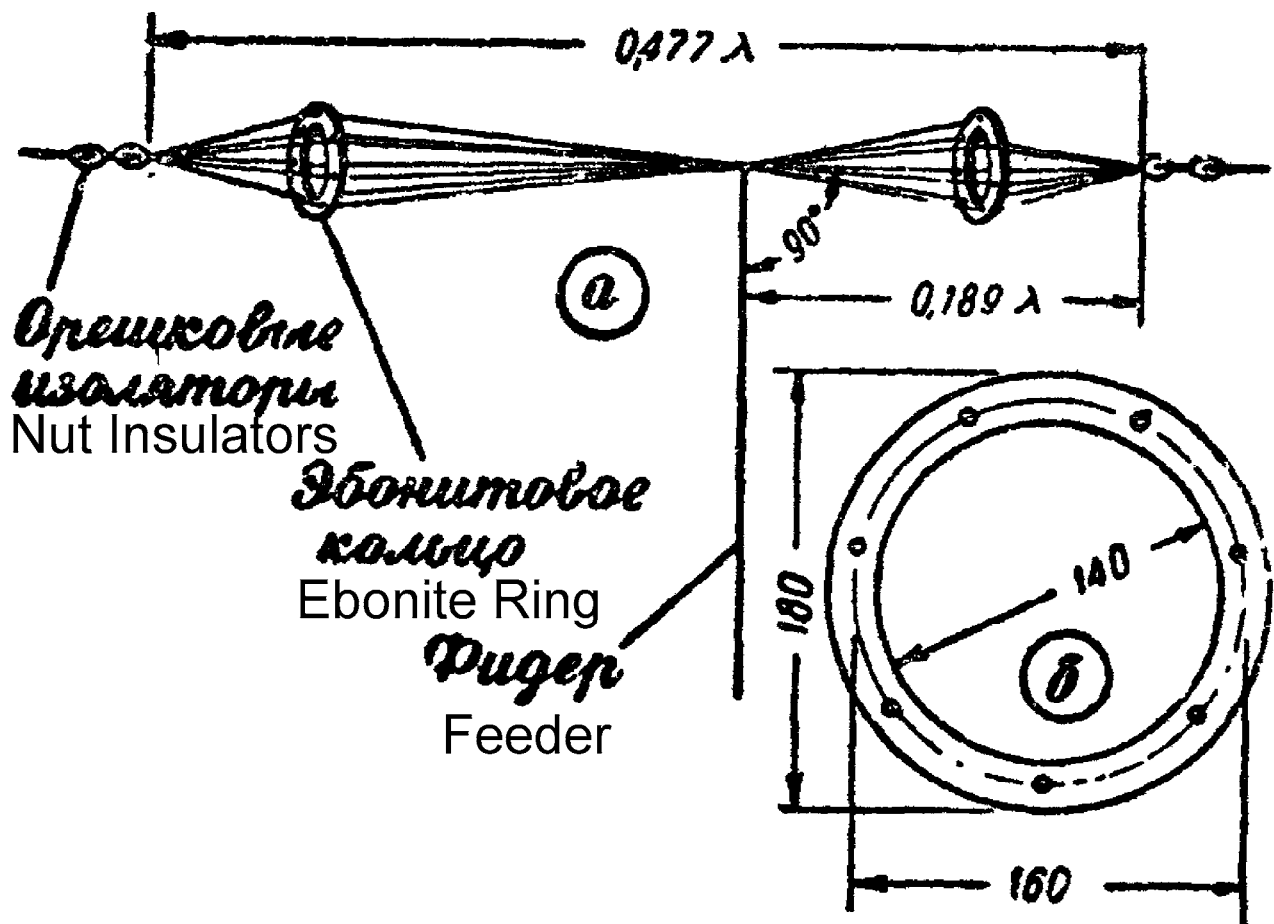
Antenna made of seven lengths in  $0.477\lambda$  and 3-mm diameter each. The wires were going through two ebonite rings and soldered in the places of the insulators and the connection of the one- wire feeder.

*(Note by I.G.: There is no information about placement the rings on the antenna).*



**Radio # 4, 1951**

Feeder should be athwart to the Antenna for the distance at least  $2/3\lambda$  and then should not have sharp bending.



**Figure 1** Conical Windom Antenna